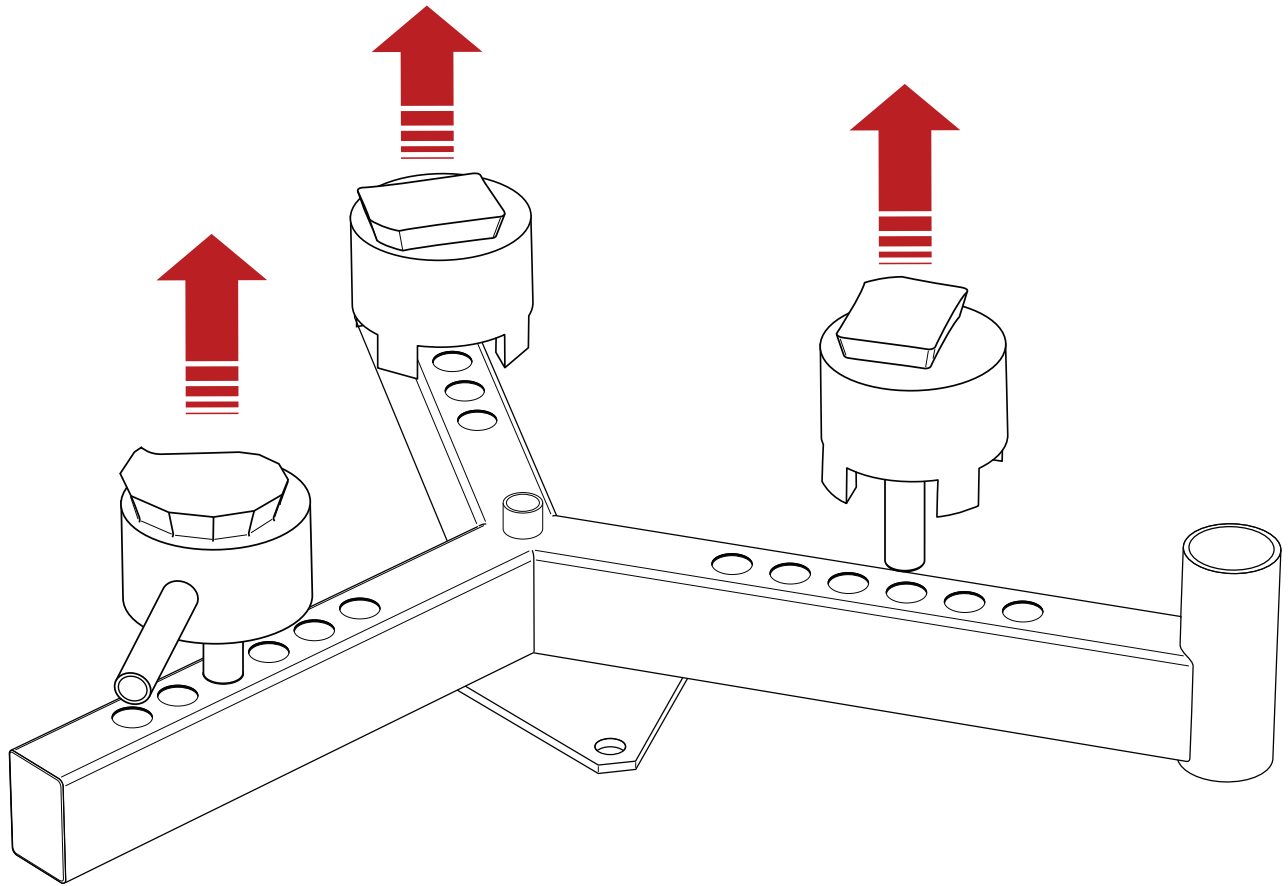
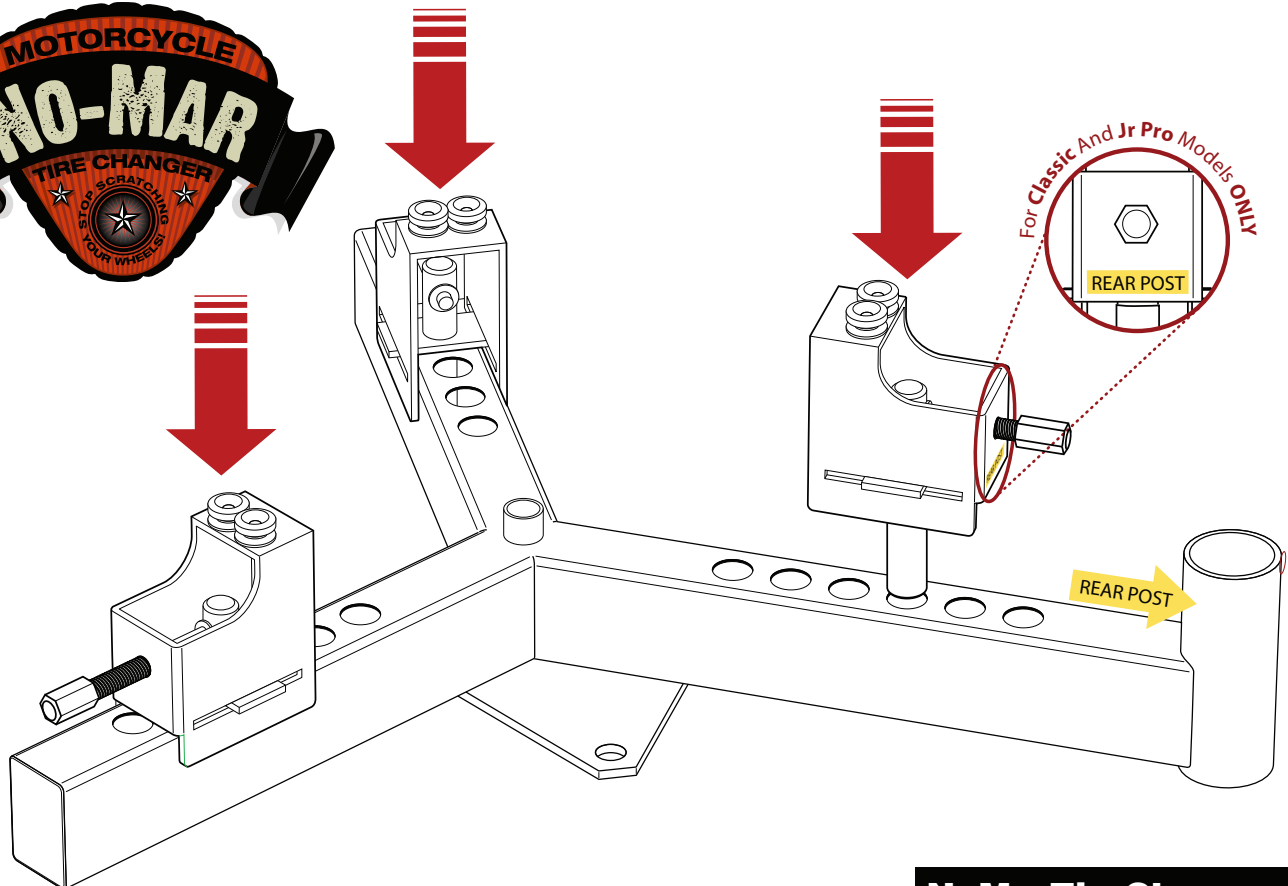


1



Remove Dog Blocks and Cam Block then replace with Rim Clamps. Note the Rear Post

2



NoMarTireChanger.com